

## Through Hole Common Mode Choke ~ CMT2908B

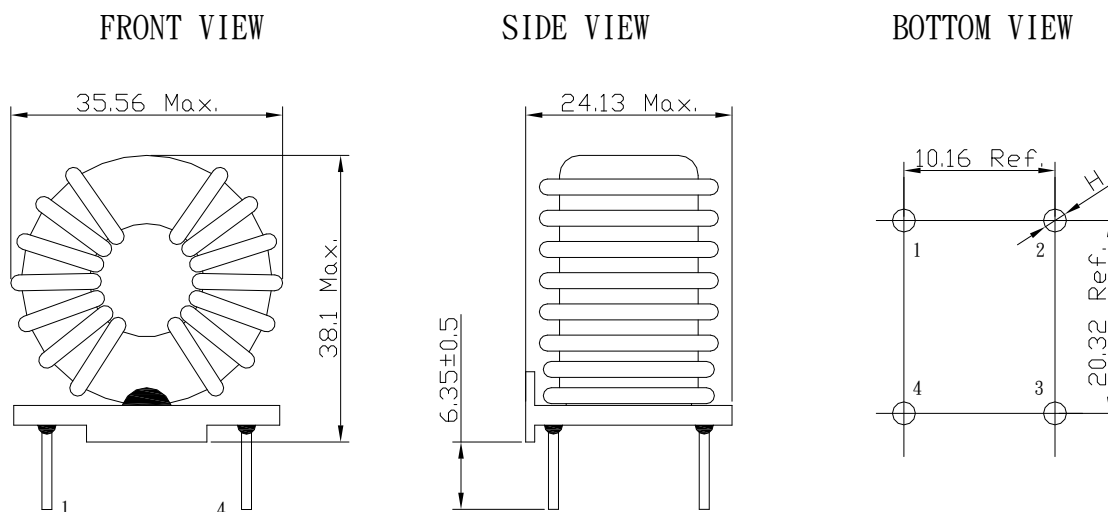


### PART NUMBERING SYSTEM

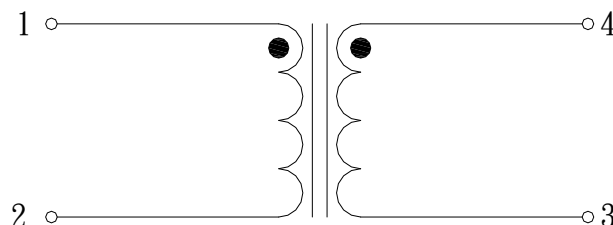
<b>CMT</b>	<b>2908B</b>	—	<b>501</b>	—	<b>LF</b>
TYPE	DIMENSIONS		IMPEDANCE		LEAD FREE

### SHAPES AND DIMENSIONS

UNIT : mm



### SCHEMATIC DRAWING



## SPECIFICATION TABLE

PART NUMBER	INDUCTANCE (mH)	DCR (mΩ) (max)	I <sub>rms</sub> ( A ) (max)	TEST FREQ. ( f )	Dimension H(mm)
CMT2908B-501-LF	0.225Min.	9.0	20.0	100KHz	2.08
CMT2908B-182-LF	7.10Min.	85.0	2.56	10KHz	1.55
CMT2908B-212-LF	14.0Min.	113.0	1.00	1KHz	0.91

- Inductance is measured with a LCR meter 4284A or equivalent.
- Test voltage : 1500V, 50Hz , 5mA , 2sec.
- Operating temperature range -40°C to +125°C
- Electrical specifications at 25°C

## FEATURES

- Highest common mode **impedance** over the **widest frequency range**.
- **1250 Vrms**, one minute isolation between windings.
- Inductance values up to **14 mH**; current ratings as high as **20 Amps**.
- **RoHS-compliant**. Tin-silver over copper terminations.
- Reduce conductive EMI emission
- High current capacity
- High impedance at low frequency